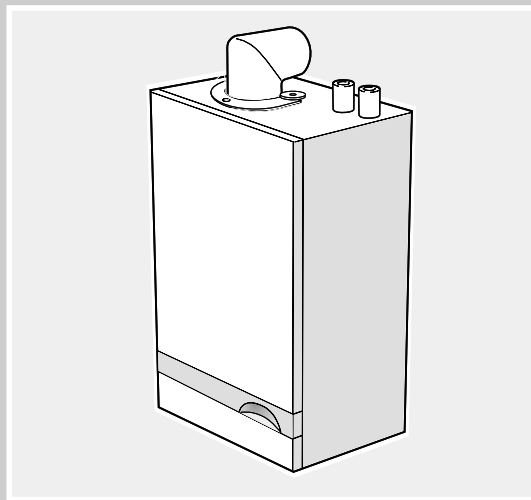


# THE HENRAD USERS GUIDE



*Henrad*

the super efficiency boiler

Wall mounted,  
gas fired, fanned flue  
condensing heating boiler

SE 30 FF - 80 FF

**HENRAD**



## **SE FF** *(Natural Gas Models Only)*

SE 30 FF ..... G.C. Appliance No. 41 387 46

SE 40 FF ..... G.C. Appliance No. 41 387 47

SE 50 FF ..... G.C. Appliance No. 41 387 48

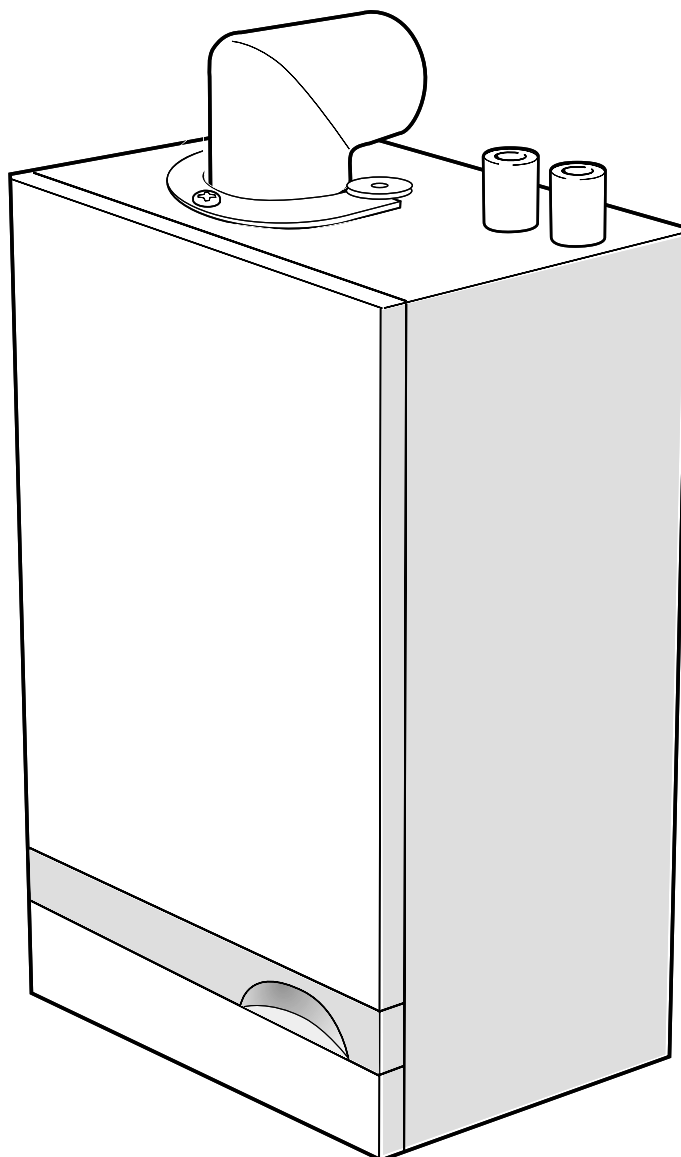
SE 60 FF ..... G.C. Appliance No. 41 387 49

SE 70 FF ..... G.C. Appliance No. 41 387 50

SE 80 FF ..... G.C. Appliance No. 41 387 51

PI No: 87AT2

Destination Countries: GB, IE



**CAUTION.** To avoid the possibility of injury during the installation, servicing or cleaning of this appliance care should be taken when handling edges of sheet steel components.

## ***Introduction***

The **SE FF** is a wall mounted, room sealed, super efficient condensing boiler featuring full sequence automatic spark ignition and fan assisted combustion.

Due to the very high efficiency, condensate is produced from the flue gases and this is drained to a suitable disposal point through the plastic waste pipe at the right lower rear of the boiler. A condensate 'plume' will also often be visible at the flue terminal.

## **Safety**

### **Gas Safety (Installation & Use) Regulations 1994, amendments 1996 or rules in force.**

In your own interest, and that of safety, it is the law that this boiler must be installed by a CORGI registered installer, in accordance with the above regulations.

*It is essential that the instructions in this booklet are strictly followed, for safe and economical operation of the boiler.*

## ***Electricity Supply***

***This appliance must be efficiently earthed.***

Supply: 230 V ~ 50 Hz. The fusing should be 3A.

Connection must be made in a way that allows complete isolation of the electrical supply such as a double pole switch having a 3mm (1/8") contact separation in both poles, or a plug and socket, serving only the boiler and system controls. The means of isolation must be accessible to the user after installation.

## ***Important Notes***

- THIS APPLIANCE MUST NOT BE OPERATED WITHOUT THE CASING CORRECTLY FITTED AND FORMING AN ADEQUATE SEAL.
- If the boiler is installed in a compartment then the compartment MUST NOT be used for storage purposes.
- Clearances of **145mm (7 3/4")** above, **100mm (4")** below, **5mm (1/4")** at the sides and **450mm (17 3/4")** at the front of the boiler casing must be allowed for servicing.
- If it is known or suspected that a fault exists on the boiler then it MUST NOT BE USED until the fault has been corrected by a CORGI registered installer.

## ***To light the boiler***

***(see illustration on page 5)***

Access to the controls is made by swinging the controls pod door downwards.

If a CH timer is fitted, refer to its separate instructions before continuing.

1. Check that the electrical supply to the boiler is OFF.
2. Ensure that the gas and water supplies to the boiler are OPEN and external controls are calling for heat.
3. Switch ON the electrical supply to the boiler at the mains supply socket.
4. Turn the boiler thermostat (B) to position 6.
5. After a short delay the ignition sequence will commence and the boiler will light.
6. Immediately after ignition the 'Burner On' neon (A) will illuminate and remain on as long as the boiler is firing.
7. If the boiler does not light at the first ignition attempt (after about 10 seconds), the 'Burner On' neon will illuminate briefly, go off, and then the ignition sequence will be repeated, for a total of 5 times.
8. If there is still no ignition the fan will stop and the boiler will shut down.
9. In this event switch off the electrical supply to the boiler and consult a CORGI registered installer.

### ***WARNING.***

If no frost protection is provided and frost is likely during a short absence from home, leave the room thermostat and cylinder thermostat at a reduced setting.

For longer periods, the entire system should be drained - including the domestic water supply and boiler heat exchanger.

If the system includes a frost thermostat then, during cold weather, the boiler should be turned OFF at the time switch(es) ONLY.

The mains supply should be left switched ON.

## ***To shut down the boiler***

### **1. For short periods**

Switch OFF the electrical supply to the boiler.

When heating is again required, restore supply to the boiler.

### **2. For longer periods**

Switch OFF the electrical supply to the boiler or, if a frost thermostat is fitted, at the time switch.

## ***To relight the boiler***

Repeat the procedure detailed in 'To light the boiler'.

## Escape of gas

Should a gas leak or fault be suspected contact your local gas supplier without delay.

Do NOT search for gas leaks with a naked flame.

## Condensate Drain

The condensate drain must not be modified or blocked.

Blockage of the condensate drain, caused by debris or freezing, can cause automatic shutdown of the boiler.

If freezing is suspected and the pipe run is accessible an attempt may be made to free the obstruction by pouring hot water over the exposed pipe and clearing any blockage from the end of the pipe. If this fails to remedy the problem the assistance of a CORGI registered installer should be sought.

## Cleaning

For normal cleaning simply dust with a dry cloth.

To remove stubborn marks and stains use a damp cloth and mild detergent.

DO NOT use abrasive cleaning materials.

## Control of water temperature

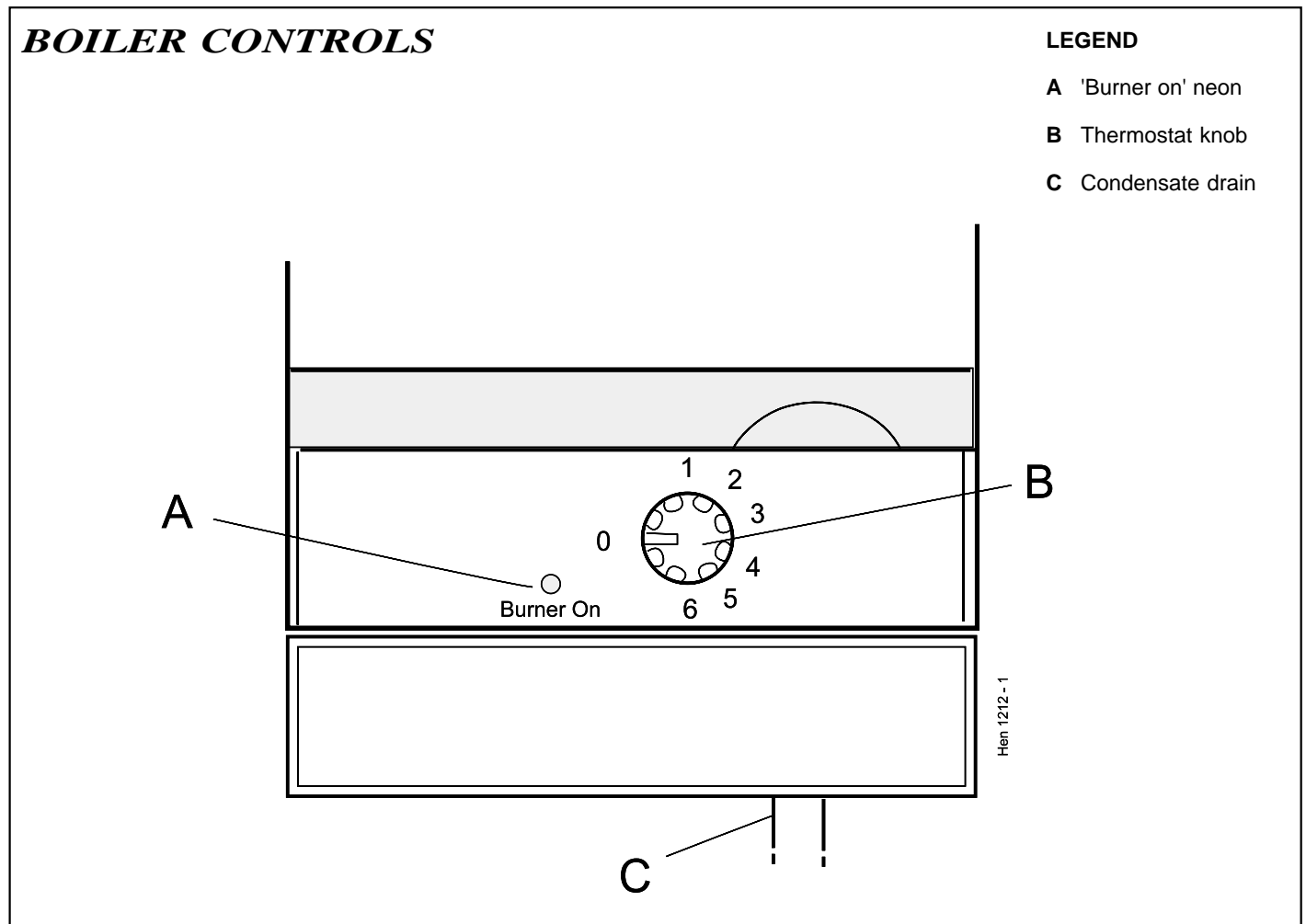
1. Set the boiler thermostat knob to give the required temperature
2. The boiler thermostat automatically switches the main burner OFF and ON to maintain the selected temperature.

Approx. flow temperatures for the boiler thermostat settings are:

Knob Setting	Flow Temperature	
	°C	°F
1	50	120
2	60	140
3	66	150
4	71	160
5	77	170
6	82	180

## Maintenance

The appliance should be serviced at least once a year by a CORGI registered installer.





*The code of practice for the installation,  
commissioning & servicing of central heating systems*

Caradon Plumbing Limited is a member of the Benchmark initiative and fully supports the aims of the programme. Benchmark has been introduced to improve the standards of installation and commissioning of central heating systems in the UK and to encourage the regular servicing of all central heating systems to ensure safety and efficiency.

**Caradon Plumbing Limited,**  
P.O. Box 103, National Ave, Kingston upon  
Hull, HU5 4JN. Telephone: 01482 492 251  
Fax: 01482 448 858. Registration No. London  
322 137. Registered Office: National Avenue,  
Kingston upon Hull, HU5 4JN. *A subsidiary of  
Caradon p.l.c*



**Caradon Plumbing Ltd** pursues a policy of continuing improvement in the design and performance of its products. The right is therefore reserved to vary specification without notice.

August 1999 UIN 153 961 A01

# HENRAD

***Henrad Consumer Helpline: 01482 498660***

## ***Your feedback***

*and your chance to win a free boiler*

At Henrad we've been leaders in the design and engineering of robust and reliable boilers for over 90 years. We want to continue as leaders by listening to your suggestions for how to improve our boilers and our service. We will be giving away a free boiler for the five best ideas every year (to be selected by our Technical Director). Please complete this form, using extra sheets if required, and post it or fax it to us on 01482 498699.

### ***Boiler details***

Model / Size (details on control panel door)

Date of Installation

### ***Installer details***

Name

Address

Post Code

Telephone (*Please include STD code*)

### ***How I would improve this boiler:***

### ***My general comments for Henrad:***

**Caradon**   
**Plumbing Solutions**

***Henrad Consumer Helpline: 01482 498660***

## Further information

If you would like information about Henrad Boilers please complete this sheet and fax it to us on 01482 498699 or post it to Caradon Plumbing Limited, PO Box 103, National Avenue, Kingston upon Hull, HU5 4JN.

### Installer details

Name

Address

Post Code

Telephone (Please include STD code)

### General information required

- Please send me details of Henrad Training Courses.
- Please arrange for a technical representative to contact me.
- Please arrange for me to join an Henrad factory tour.

### Range guides required

- The Henrad Guide: a specifier's and installer's introduction to the Henrad domestic boiler range.
- The Henrad Householders Guide: to assist the installer when presenting to his/her customers.

### Technical manuals required

- The Henrad C FF combi boilers
- The Henrad WH FF wall hung boiler
- The Henrad WH LX FF deluxe wall hung boiler
- The Henrad FS FF floor standing boiler
- The Henrad SE FF heat-saving boiler
- The Henrad CC FF combi boiler
- The Henrad SEC FF super efficiency combi boiler

**Caradon**   
**Plumbing Solutions**

Caradon Plumbing Ltd., PO Box 103, National Avenue, Kingston upon Hull, HU5 4JN. Telephone: 01482 492251 Fax: 01482 448858.

**Henrad Consumer Helpline: 01482 498660**